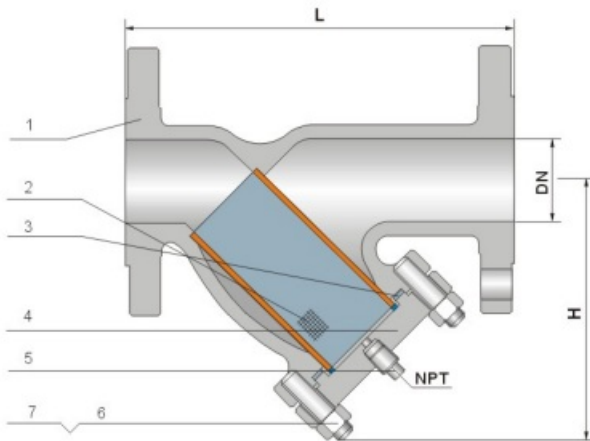


# DIN Y-Strainer



### Applicable standards:

- DESIGN AND MANUFACTURE: DIN3356
- FACE TO FACE: DIN3202-F1, EN558-1
- END FLANGE DIMENSIONS: DIN2543(PN16), DIN2544(PN25),  
DIN2545(PN40), EN1092-1
- PRESSURE TEST: DIN3230, EN12266-1

### Materials of parts

NO	Part Name	Material
1	Body	GS-C25
2	Screen	SS304
3	Gasket	Graphite
4	Bonnet	GS-C25
5	Drain Plug	A182 F6
6	Bolt	A193 B7
7	Nut	A194 2H

### Dimensions data

DN	50	65	80	100	125	150	200	250	300	350	400
L	230	290	310	350	400	480	600	730	850	980	1100
H	200	220	245	285	330	375	475	550	640	720	770
Weight(kg)	PN16	9.5	16	21	25	35	49	79	-	-	-
	PN25	10	16.5	21.5	26	37	51	88	-	-	-
	PN40	10	17	22	27	39	53	110	-	-	-